

### E15

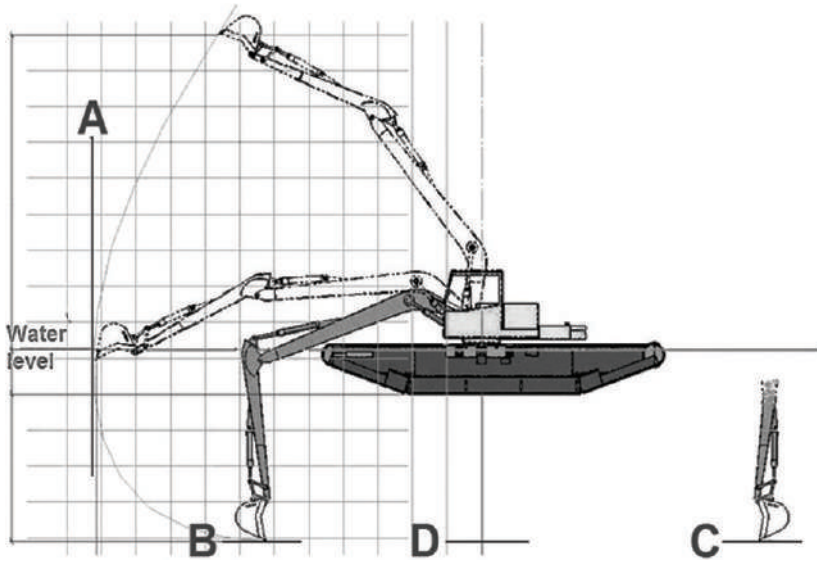
### MAIN COMPONENT MASSES

	METRIC	IMPERIAL
WHOLE ASSEMBLY*	24 000 kg	53 000 lbs
UNDERCARRIAGE WITHOUT WORK UNIT	17 000 kg	37 500 lbs
ONE TRACK PONTOON	7 000 kg	15 500 lbs

\* MAY VARY ACCORDING TO THE ASSEMBLY IN USE.  
FOR UPPER CARRIAGE WEIGHT SEE THE SPECIFICATION OF THE WORK UNIT.

### DIMENSIONS, BIG FLOAT WITHOUT ADDITIONAL PONTOONS

	METRIC	IMPERIAL
MINIMUM TRANSPORT HEIGHT*	3 700 mm	12 ft
MINIMUM TRANSPORT LENGTH*	13 700 mm	45 ft
TRACK PONTOON LENGTH	11 200 mm	36 ft 9 inch
TRANSPORTATION WIDTH	3 000 mm	9 ft 10 inch
OPERATION ON SOFT TERRAIN AND IN SHALLOW WATER WIDTH	4 800 mm	16 ft
TRACK PONTOON WIDTH	1 300 mm	4 ft 3 inch
TRACK PONTOON HEIGHT	1 500 mm	4 ft 11 inch



## E15

LONG REACH BOOM

	METRIC	IMPERIAL
A MAXIMUM REACH, 360°	13 000 mm	42 ft 8 inch
B MAXIMUM WORKING DEPTH TO THE FRONT	7 500 mm	24 ft 7 inch
C MAXIMUM WORKING DEPTH TO THE REAR	7 500 mm	24 ft 7 inch
D MAXIMUM WORKING DEPTH TO THE SIDES	7 500 mm	24 ft 7 inch
STANDARD DREDGING BUCKET SIZE	600 l	160 gal
STANDARD DREDGING BUCKET WEIGHT	490 kg	1080 lbs

\* MAY VARY ACCORDING TO THE ASSEMBLY IN USE.