

### E22

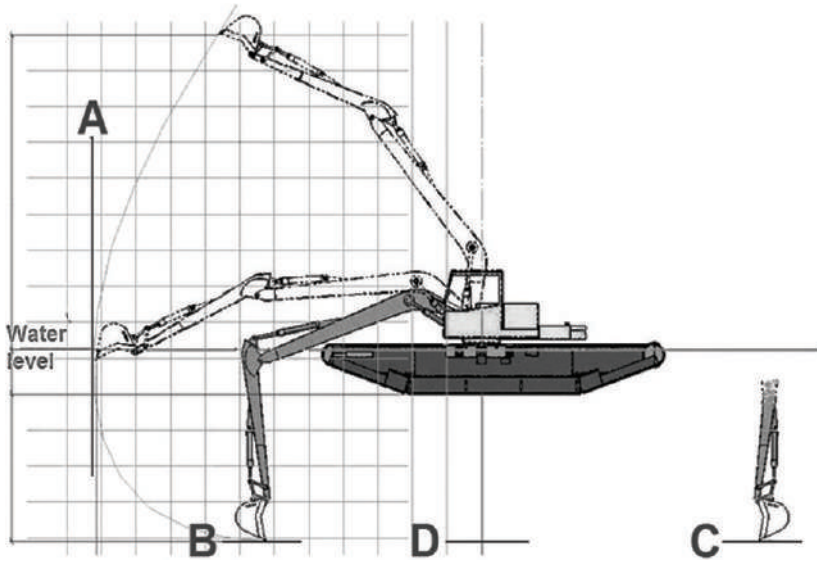
### MAIN COMPONENT MASSES

	METRIC	IMPERIAL
WHOLE ASSEMBLY*	36 000 kg	79 500 lbs
UNDERCARRIAGE WITHOUT WORK UNIT	23 000 kg	50 700 lbs
ONE TRACK PONTOON	8 400 kg	18 500 lbs

\* MAY VARY ACCORDING TO THE ASSEMBLY IN USE.  
FOR UPPER CARRIAGE WEIGHT SEE THE SPECIFICATION OF THE WORK UNIT.

### DIMENSIONS, BIG FLOAT WITHOUT ADDITIONAL PONTOONS

	METRIC	IMPERIAL
MINIMUM TRANSPORT HEIGHT*	3 900 mm	13 ft
MINIMUM TRANSPORT LENGTH*	15 500 mm	50 ft
TRACK PONTOON LENGTH	11 200 mm	36 ft 9 inch
TRANSPORTATION WIDTH	3 500 mm	11 ft 6 inch
OPERATION ON DRY LAND WIDTH	3 700 mm	12 ft 2 inch
OPERATION ON SOFT TERRAIN AND IN SHALLOW WATER WIDTH	5 500 mm	18 ft
UPPER CARRIAGE WIDTH*	3 300 mm	11 ft 6 inch
TRACK PONTOON WIDTH	1 500 mm	5 ft
TRACK PONTOON HEIGHT	1 800 mm	5 ft 11 inch



## E22

LONG REACH BOOM

	METRIC	IMPERIAL
A MAXIMUM REACH, 360°	15 000 mm	50 ft 10 inch
B MAXIMUM WORKING DEPTH TO THE FRONT	8 200 mm	27 ft
C MAXIMUM WORKING DEPTH TO THE REAR	8 200 mm	27 ft
D MAXIMUM WORKING DEPTH TO THE SIDES	8 200 mm	27 ft
STANDARD DREDGING BUCKET SIZE	800 l	210 gal
STANDARD DREDGING BUCKET WEIGHT	540 kg	1090 lbs

\* MAY VARY ACCORDING TO THE ASSEMBLY IN USE.