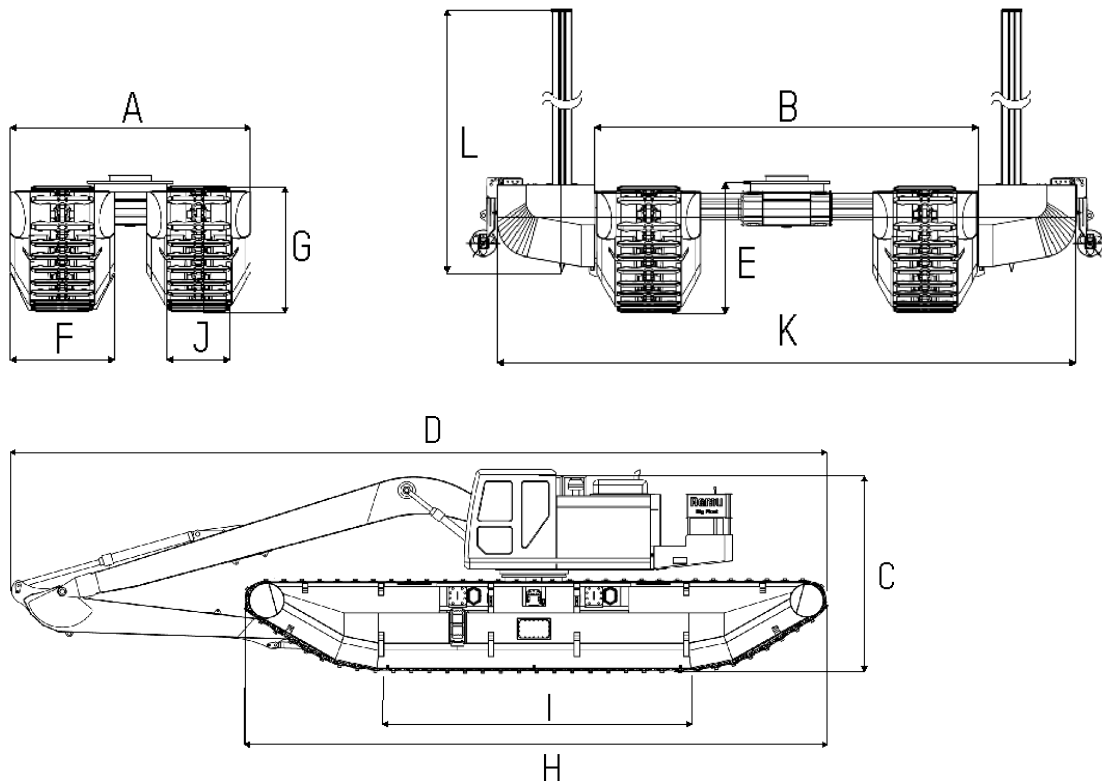


Big Float E15



ASSEMBLED UNIT

	METRIC	IMPERIAL
GROSS WEIGHT *1	24 000 kg	53 100 lbs
A. TRANSPORT WIDTH (MIN)	3 000 mm	9 ft 10 "
B. WORKING WIDTH (MAX)	4 800 mm	15 ft 9 "
C. OVERALL HEIGHT *1	3 700 mm	12 ft 2 "
D. OVERALL LENGTH *1	13 700 mm	45 ft
E. UNDERCARRIAGE HEIGHT WITH ADAPTER RING	1 700 mm	5 ft 7 "

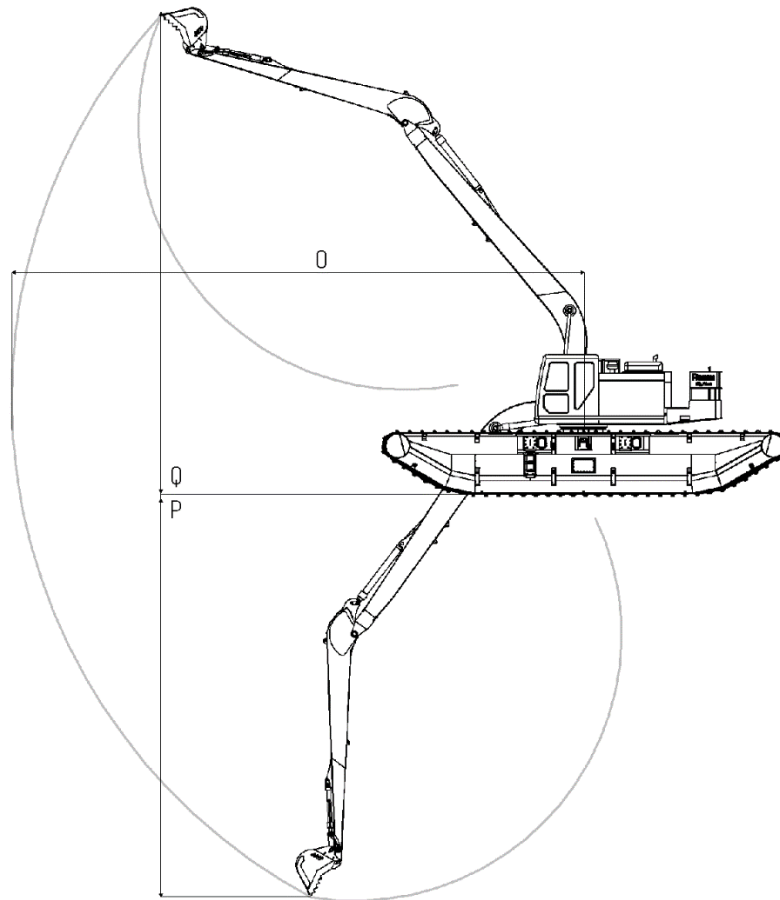
SINGLE PONTOON

F. OVERALL WIDTH	1 300 mm	4 ft 3 "
G. OVERALL HEIGHT	1 600 mm	5 ft 3 "
H. OVERALL LENGTH	11 200 mm	36 ft 9 "
I. TRACK LENGTH ON GROUND	6 000 mm	19 ft 8 "
J. TRACK PAD LENGTH	900 mm	3 ft

OPTIONAL ITEMS

K. WORKING WIDTH (WITH ADDITIONAL PONTOONS MAX)	7 640 mm	25 ft 1 "
L. ANCHORING LEGS LENGTH	6 000 mm	19 ft 8 "
M. SWING RADIUS (COUNTERWEIGHT WITH LOAD BAY AND IN-BUILT FUEL TANK)	3 200 mm	10 ft 6 "

*1) Estimated numbers based on average base excavator and long front boom details



WORKING RANGE

- O. MAXIMUM REACH AT GROUND LEVEL *¹
- P. MAXIMUM DIGGING DEPTH *¹
- Q. MAXIMUM CUTTING HEIGHT *¹

METRIC

- 13 000 mm
- 10 000 mm
- 10 800 mm

IMPERIAL

- 42 ft 8 "
- 32 ft 10 "
- 35 ft 5 "

*¹) Estimated numbers based on average base excavator and long front boom details

CONSTRUCTION: Big Float manufactured with high strength wear resistant steel for the best protection against external stress and impacts. Each pontoon has five watertight sections with manhole access on top of the pontoon. Carefully engineered shape and measurement of the undercarriage maximizes its stability in various job environments.

TRACK SYSTEM: Big Float durable track system, utilizing standard excavator track chains and track rollers, provides unbeatable lifetime of wear parts and eliminates chances of unpredictable breakdown.

TRAVEL MOTORS, paired with planetary final drives, deliver high torque through drive sprockets directly to track chains, eliminating need for unreliable components.